

BINKS AA4400A

Air Assisted Airless HVLP Automatic spray gun

Binks AA4400A is ideally suited for medium to high production multi-gun spray finishing lines.



Binks AA4400A combines the best features of HVLP and Air Assisted Airless atomisation to provide a finely atomised “soft spray” to produce the very best spray finish with the highest possible transfer efficiencies, resulting in significant paint savings and compliance with the toughest EPA regulations.

AA4400A is a highly sophisticated automatic AAA gun that can be detached from its mounting block in a few seconds via the simple hexagonal key release mechanism, for fast and easy maintenance and serviceability. This unique feature from Binks dramatically reduces production downtime.

Binks AA4400A is ideally suited for multi-gun finishing equipment such as rotary machines, reciprocators, robots, fixed and chain-on-edge type systems located in medium to high production environments.

“Quick detach” head from base for reduced downtime

Unique air cap design produces “softer fine spray” for superior finishes

Air cap has optional 15° indexing for precision finishing

Adjustable “on gun” fan pattern controls

St St gun head and fluid passages

Fluid filter in gun head

Manual or remote gun controls

Tungsten carbide needle and seat

Paint re-circ option in head or base plate

Typical Industrial Applications

- Rotary finishing machines
- Reciprocators – vertical and horizontal
- Robot applicators
- Most types of Automatic spray machines

Suitable for these materials

- Solvent & Water based Materials including UV
- Stains, varnishes & lacquers
- Inks & dyes
- Sealers & undercoats
- Most types of Paints

Whatever the Substrate you're spraying – Wood, Leather, Metal, Plastic or any other material AA4400A by BINKS® is the Automatic Spray Gun to choose.

AA4400A
by **BINKS**

finishingbrands.eu



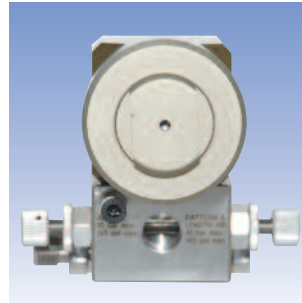
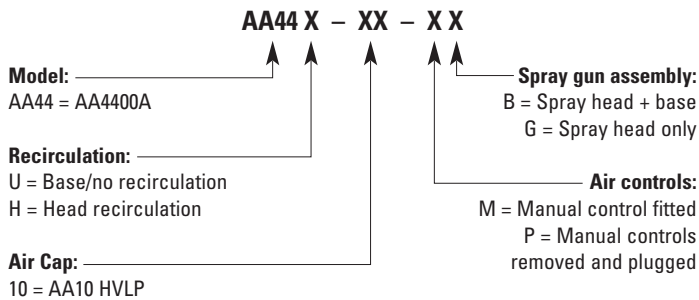
The Best Atomisation and Paint Savings

The unique tip and air cap design of the Binks AA4400A automatic Air Assisted Airless HVLP Spray Gun uses lower fluid and air pressure than competitors guns to achieve exceptionally fine finishes with superior paint savings and lower energy consumption.

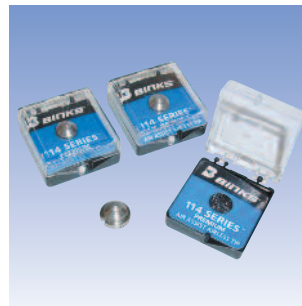
AA4400A is equipped with the AA10HP Air Cap.

Part No	Description
54-5890	AA10HP HVLP air cap with fan adjustment

PART NUMBER



The gun controls and connections on the AA4400A are easy to use and provide excellent adjustment.



IMPORTANT: The table below lists the entire AA4400A tip range.

Fan Width (inches/mm) Size (inches/mm)	2 / 51	4 / 102	6 / 152	8 / 203	10 / 254	12 / 305	14 / 356	16 / 406	18 / 457
Premium tip range : Part No. 114-XXXXX									
.007/0.18	00702	00704	00706	00708	-	-	-	-	-
.009/0.23	00902	00904	00906	00908	00910	00912	-	-	-
.011/0.28	-	01104	01106	01108	01110	01112	01114	-	-
.013/0.33	-	01304	01306	01308	01310	01312	01314	01316	-
.015/0.38	-	-	01506	01508	01510	01512	01514	01516	01518
.017/0.43	-	-	01706	01708	01710	01712	01714	01716	01718
.019/0.48	-	-	01906	01908	01910	01912	01914	01916	01918
.021/0.53	-	-	-	-	02110	02112	02114	02116	02118
.024/0.61	-	-	-	-	02410	02412	02414	02416	02418
.027/0.69	-	-	-	-	02710	02712	02714	02716	02718

	Thread	Pressure
Fluid inlet (1) & fluid recirculation (2)	1/4 NPS Female	Max 275 Bar / 4000 psi
Air inlet Atomising + Fan	1/4 BSP Female	Max 10 Bar / 145 psi
Cylinder/trigger (Cyl)	M5 Female	4 to 10 Bar / 60 to 145 psi
Maximum temperature in use	85° C / 185° F	
Spray gun weight	Complete gun assy 836 gm Gun head 469 gm Gun base assy 367 gm	
Gun body	Aluminium hard anodized	
Fluid passageway/Tip/Needle/Spray head/Base plate	Stainless steel 303 / 17-4 / Tungsten Carbide	
Fluid seals	Viton Extreme, Polyethylene	
Air Flow AA10 Air Cap	5.1 scfm (144 l/min) at 10 psi (0.69 Bar) Cap pressure	
Gun Filter size	100 micron, 150 mesh, 0.004"	

The AA4400A complies with ATEX regulations 94/9/EC, protection level II 2 G X T6 suitable to use in Zones 1 & 2.

For further technical features and benefits see the AA4400A Service Bulletin.

Sales and Service through our Global Network of Industrial Distributors

Finishing Brands Locations

- Americas: **USA** ▪ **Mexico** ▪ **Brazil**
- Europe/Asia/Africa: **United Kingdom** ▪ **France** ▪ **Germany**
- Pacific Rim: **China** ▪ **Japan** ▪ **Australia**



www.finishingbrands.eu

email: marketing@finishingbrands.eu

